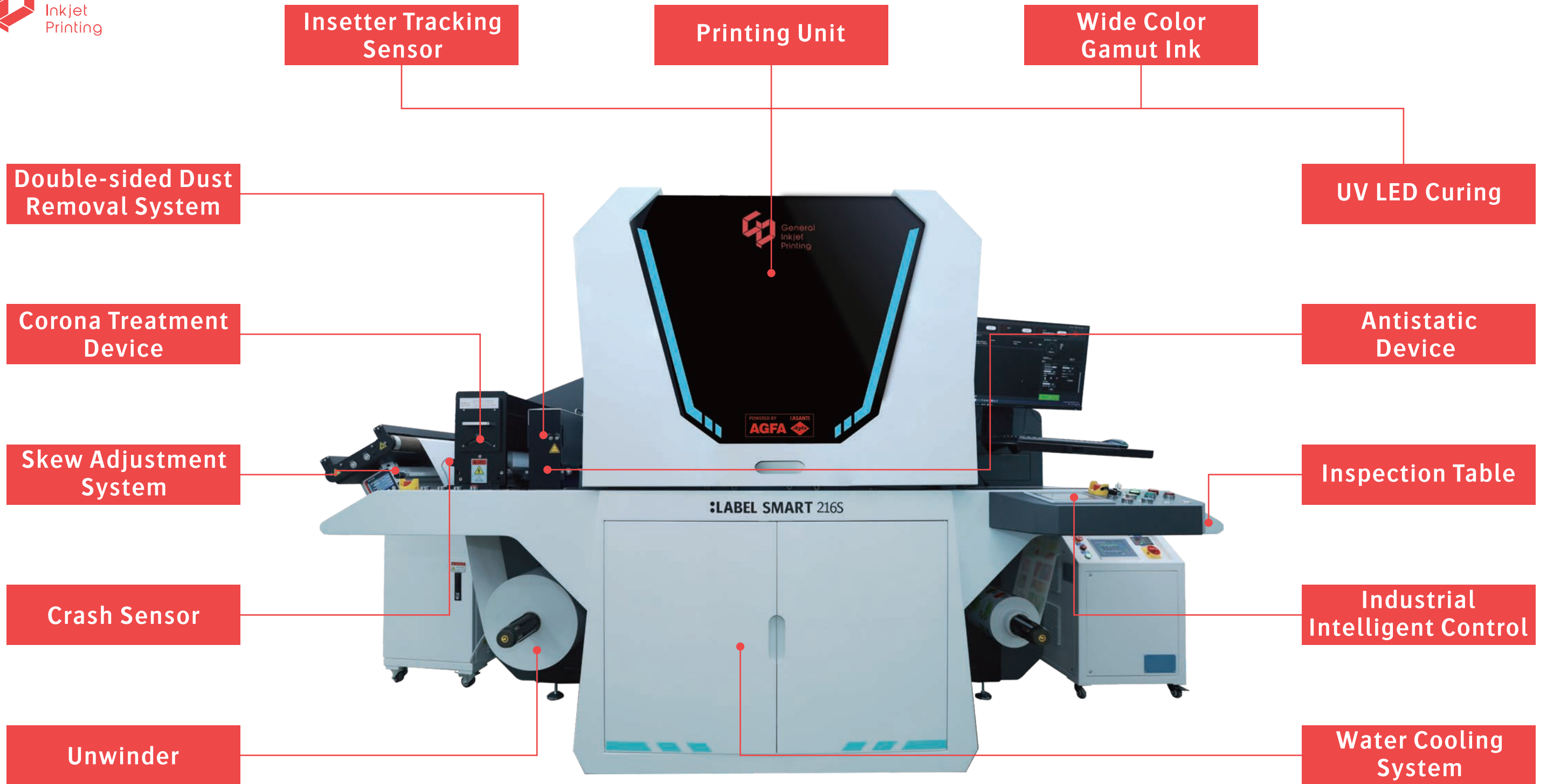




# General Inkjet Printing: Digital inkjet printing system :LABEL SMART series



- + Entry level UV Inkjet system
- + Expand for personalized printing
- + Best partner of flexographic for small volume order
- + Provide solutions for full color coding
- + Improving efficiency for traditional printing process



Powered by Agfa Asanti  
**Agfa Asanti software  
workflow system**

Fully integrated with Agfa Asanti Prepress workflow to ensure the highest reliability and simply operation.



# ● LABEL SMART series

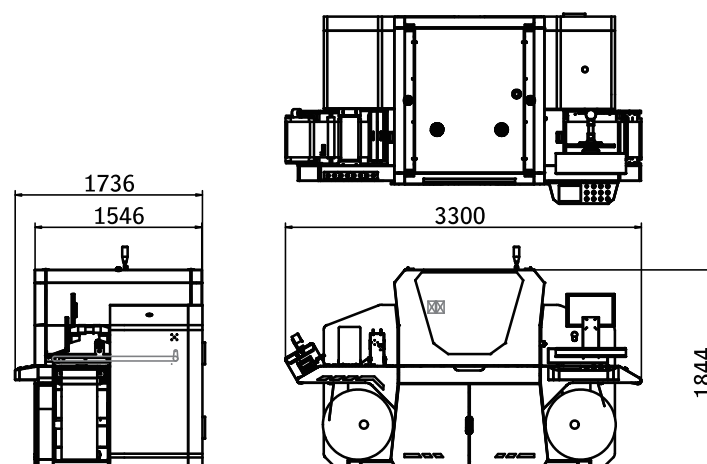
## Specifications

Model	Label Smart 216	Label Smart 330	Label Smart 216S	Label Smart 330S
<b>Technical Specification</b>				
Printing Technology	Piezoelectric Inkjet			
Print Method	Roll to Roll, One - Side			
Color Configuration	CMYK / W + CMYK / W + W + CMYK			
Number Of Channels	6			
Maximum Speed	47 m / min (600dpi×600dpi); 23 m / min (600dpi×1200dpi)		50 m / min (600dpi×600dpi); 25 m / min (600dpi×1200dpi)	
Resolution	600 × 600 dpi / 600 × 1200 dpi			
Ink Type	UV Ink			
Curing Method	UV LED			
<b>Media</b>				
Media Width	110 - 330 mm			
Maximum Print Width	214 mm	320 mm	214 mm	320 mm
Media Thickness	50 - 400 μm			
Media Type	PET, BOPP, PE, BOPA PP, Coated paper, Synthetic paper, Art paper, etc			
Maximum Media Roll Diameter	600 mm			
<b>Power</b>				
Power Supply	380V			
Power	15 kW	18 kW	15 kW	18 kW
Compressed air	> 6.5MPa			
Air consumption	> 10L/min			
<b>Environment</b>				
Operation Temperature	20 - 27°C			
Operation Humidity	40 - 70% RH			
<b>System Components</b>				
Skew Adjustment System	✓			
Electrostatic Dust Removal	✓			
Water Cooling System	✓			

Note: All information contained in this document is intended for guidance purposes only. All rights reserved by General Inkjet Printing Technology Co., Ltd.

### Product Layout ▶

Unit : mm



### General Inkjet Printing Technology Co., Ltd.

Add: 9F, Building 5, Zhuyuan Road No.559,  
Minhang District, Shanghai, P.R.China

Tel: 021-5223 7931

Fax: 021-5223 7932

Mail: enquiry@gip6.com

URL: www.gip6.com



General Inkjet Printing



@GIP. TECHNOLOGY



@GIP\_TECHNOLOGY



@GIP\_TECHNOLOGY